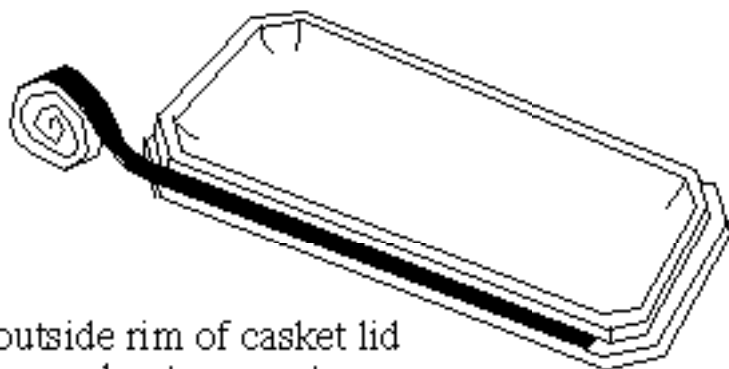
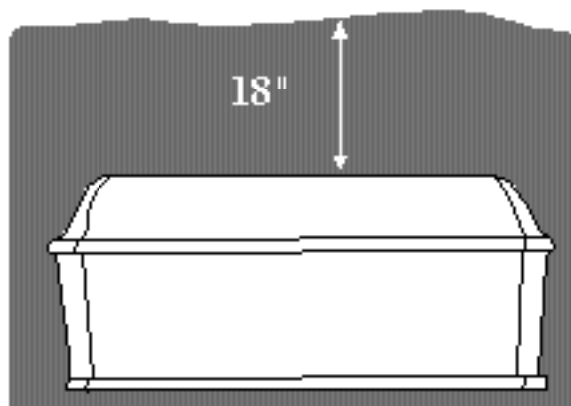




Instruction Sheet



1. Prepare and place pet in casket as desired.
2. Apply a continuous strip of sealant tape to outside rim of casket lid with adhesive side down. To ensure a proper seal cut excess tape at butt joint. (Do not over lap.) Press tape down firmly then remove backing to expose second adhesive side. Once lid is secured do not try to break seal.
3. It is recommended that the top of The Pet Casket be buried no less than 18" below ground level.



Optional:
Outer carton may be used as burial vault for added protection.



Protect your Pet for Eternity

- Non-deteriorating rigid polyurethane.
- Thick walled high-impact construction.
- Restricts intrusion of air.
- Water tight seal.
- No vault necessary.



1666 Latrobe-Derry Road
Loyalsock, PA 15661

For maximum protection The Pet Casket is designed to withstand natural extremes.

Protect your Pet for Eternity

- Non-deteriorating rigid polyurethane.
- Thick walled high-impact construction.
- Restricts intrusion of air.
- Water tight seal.
- No vault necessary.



For maximum protection The Pet Casket is designed to withstand natural extremes.