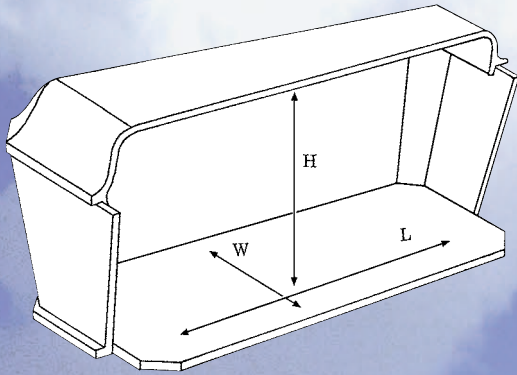
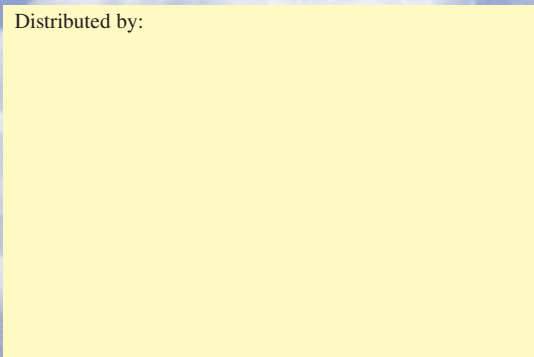


For maximum protection
The Pet Casket™
 is made of rigid
 polyurethane
 designed to withstand
 extreme pressures and
 temperatures.



Model	Inside Dimensions	Deluxe Liners
PC-16	16"L x 8"W x 6"H	DL-16
PC-20	20"L x 10"W x 8"H	DL-20
PC-24	24"L x 12"W x 10"H	DL-24
PC-32	32"L x 16"W x 12"H	DL-32
PC-40	40"L x 20"W x 15"H	DL-40
PC-52	52"L x 22"W x 15"H	DL-52

Distributed by:



1644 Latrobe-Derry Road
 Loyallhanna, PA 15661
ANTAL
 PRODUCTS, INC.

The
Pet
Casket™

*Protect
 your
 Pet
 for
 Eternity*


ANTAL
 PRODUCTS, INC.

1644 Latrobe-Derry Road
 Loyallhanna, PA 15661
 724/532-2890 Fax 724/537-6673
www.antalproducts.com
antal_products@msn.com



The Pet Casket™

At ANTAL we realize that pets are a very important part of people's lives. For this reason, we have created The Pet Casket™. Our product offers you the comfort of knowing your pet has been cared for with dignity.



- ▲ **Everlasting**
- ▲ **No Vault Necessary**
- ▲ **Air Tight**
- ▲ **Water Resistant**
- ▲ **Granite Interior Finish**
- ▲ **Self Sealing Lid**

The Deluxe Liner

Available as an accessory, this hand crafted egg shell coverlet consists of a soft, cushioned center encircled by a fine crepe fabric. The cushion lays snugly in the casket and the attached liner is generously gathered to create a coverlet. Both the coverlet and accompanying pillow are trimmed in a delicate white lace.



Rigid Polyurethane, molded into a wood grain texture, provides both beauty and solid construction.


ANTAL
PRODUCTS, INC.